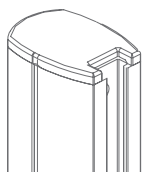
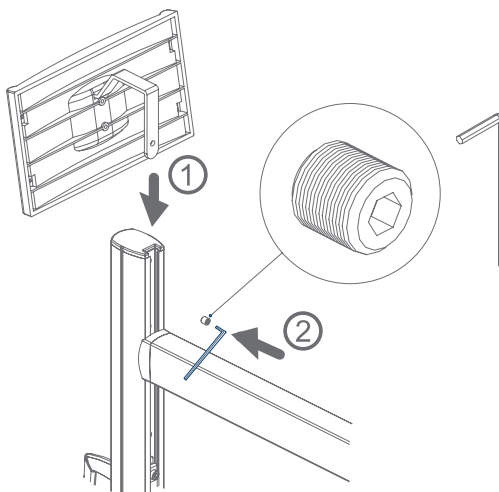


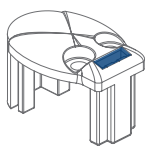
## ASSEMBLY INSTRUCTION - MINO COLUMNS



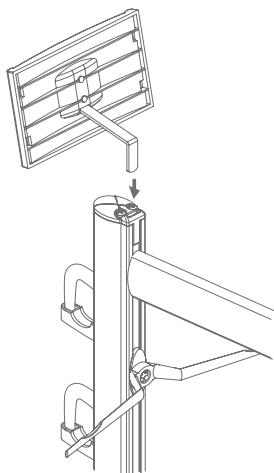
MINO COLUMNS  
HAVE A GROOVE IN THE BACK OF THE COLUMN



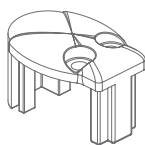
## ASSEMBLY INSTRUCTION - TALLE XT COLUMNS



TALLE XT COLUMNS → APRIL 2006  
HAVE A CAVITY IN THE TOP CAP



## ASSEMBLY INSTRUCTION - TALLE XT COLUMNS ← 04-2006



TALLE XT COLUMNS ← APRIL 2006  
DONT HAVE A CAVITY IN THE TOP CAP  
EXCHANGE THE OLD CAP FOR A NEW ONE

